

# TYPE M (wall)



3 mm diameter 1.1 mm

**THICKNESS** +-20 mm

**WEIGHT** 11 kg/m<sup>2</sup>

**MATERIAL COMPOSITION**

- Core of 2 x 9 mm in MDF
- High-quality two-sided HPL finish (EN 438) of Abet Laminati
- Acoustic absorbing spun glass fabric (centre)

**STD. MEASUREMENTS**

- 3020 x1270 mm (HPL)
- Made-to-measure on request.

**PERFORATION**

Std. 4.7 % microperforations diameter 1.1 mm (linear, 3/3/1.1).

**TOP LAYER**

Print HPL 0.9 mm.  
On request: digital print.

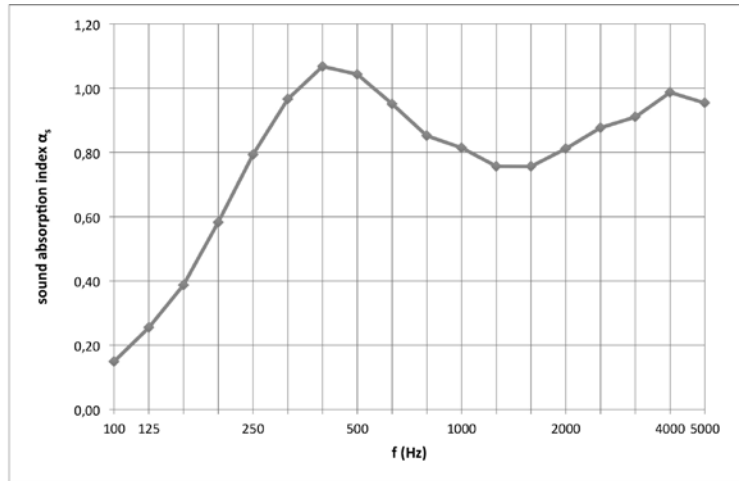
**CORE**

Black waterresistant MDF.  
On request: standard MDF, red or black flame retardant MDF (B-s1-d0).

TEST SETUP IN LAB: WALLS

TOTAL THICKNESS 90 mm

f(Hz)	T1 (s)	T2 (s)	$\alpha_s$
50			
63			
80			
100	11,85	8,03	0,15
125	10,45	6,08	0,25
160	9,96	4,89	0,39
200	10,61	3,99	0,58
250	9,51	3,14	0,79
315	9,36	2,73	0,97
400	9,34	2,54	1,07
500	9,39	2,58	1,04
630	10,31	2,83	0,95
800	10,03	3,05	0,85
1000	9,78	3,13	0,81
1250	8,94	3,21	0,76
1600	7,75	3,07	0,76
2000	6,58	2,79	0,81
2500	5,29	2,47	0,88
3150	4,12	2,20	0,91
4000	3,23	1,91	0,99
5000	2,41	1,69	0,95



f(Hz)	$\alpha_p$
125	0,25
250	0,80
500	1,00
1000	0,80
2000	0,80
4000	0,95

$\alpha_w = 0,85$  ( )  
acoustical absorption class : B

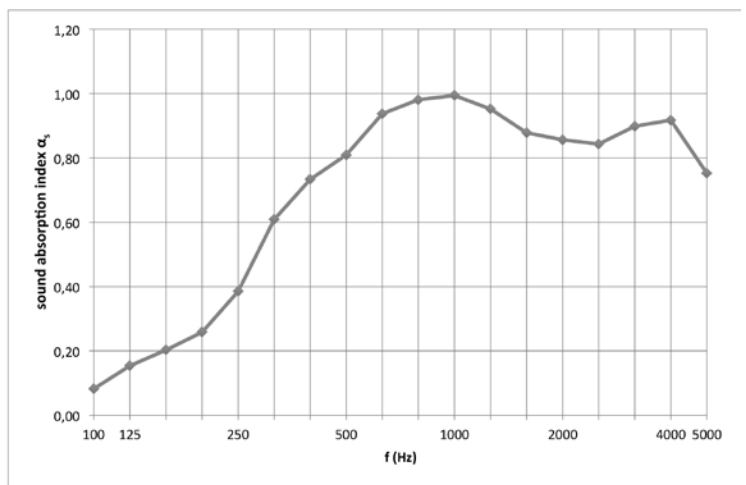
Type M 4.7 % 3/3/1.1

Mounted on a wooden frame with a thickness of 70 mm, filled with 50 mm of Rockfit 431 adapt 40 kg/m<sup>3</sup>.

TEST SETUP IN LAB: WALLS

TOTAL THICKNESS 40 mm

f(Hz)	T1 (s)	T2 (s)	$\alpha_s$
50			
63			
80			
100	12,23	9,64	0,08
125	10,79	7,49	0,15
160	9,82	6,41	0,20
200	9,09	5,59	0,26
250	9,36	4,78	0,38
315	9,30	3,71	0,61
400	9,26	3,30	0,73
500	9,40	3,11	0,81
630	10,04	2,87	0,94
800	9,95	2,76	0,98
1000	9,73	2,72	0,99
1250	8,92	2,73	0,95
1600	7,72	2,75	0,88
2000	6,69	2,64	0,86
2500	5,44	2,44	0,84
3150	4,32	2,11	0,90
4000	3,40	1,84	0,92
5000	2,54	1,66	0,75



f(Hz)	$\alpha_p$
125	0,15
250	0,40
500	0,85
1000	1,00
2000	0,85
4000	0,85

$\alpha_w = 0,70$  ( MH )  
acoustical absorption class : C

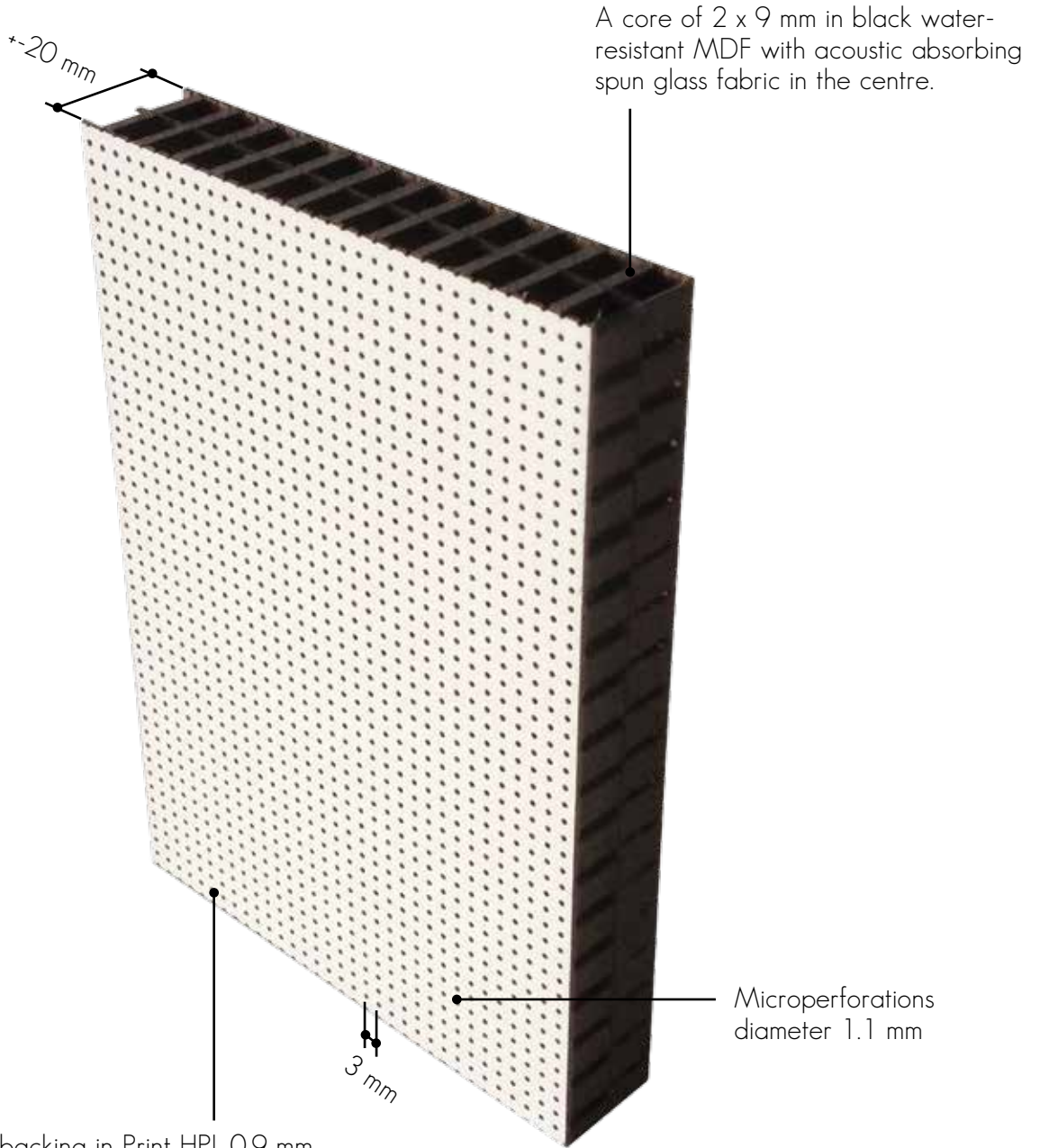
Type M 4.7 % 3/3/1.1

Mounted on a wooden frame with a thickness of 20 mm, filled with 20 mm of PRIMAWOOL 22.5 kg/m<sup>3</sup>.

# TYPE M (wall)



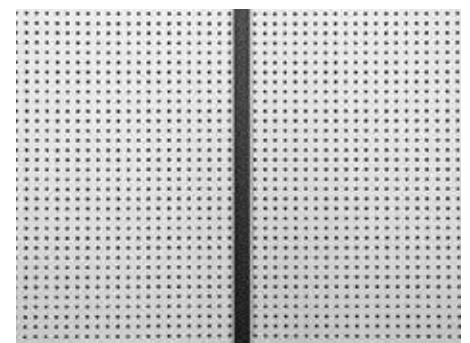
INSTALLATION see page 52



Top layer and backing in Print HPL 0.9 mm.  
(On request: digital print on the front.)

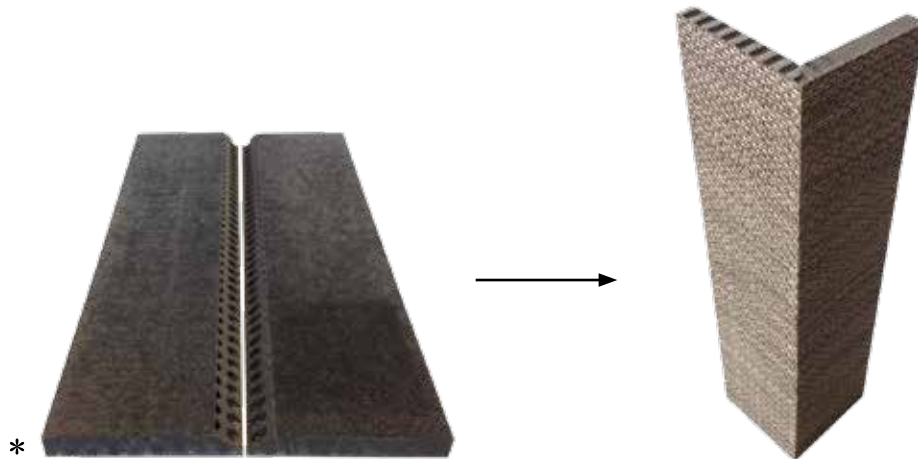
Type M 4.7 % 3/3/1.1

% perfo	total thickness	$\alpha_w$	NRC* see page 7	SAA** see page 7
4.7 %	90 mm	0.85	0.85	0.86
	40 mm	0.70	0.75	0.77

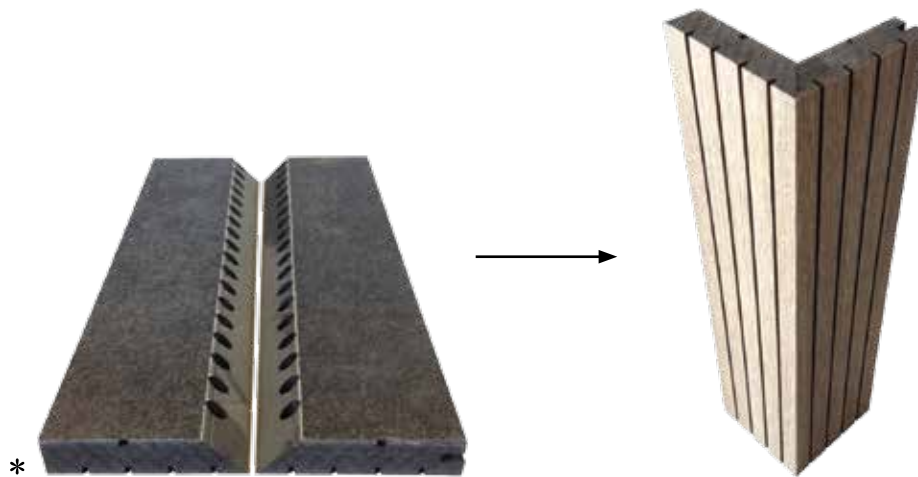


# FINISHING POSSIBILITIES PRINT ACOUSTICS® PANELS MITRE CUTTING OF EXTERIOR ANGLES

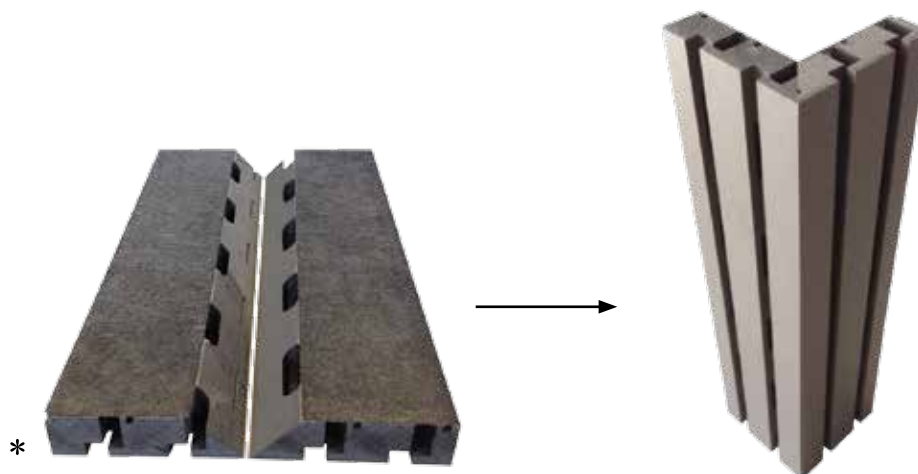
\* You are responsible for the mitre cutting of the panels.



Example of mitre cutting of exterior angles - TYPE I

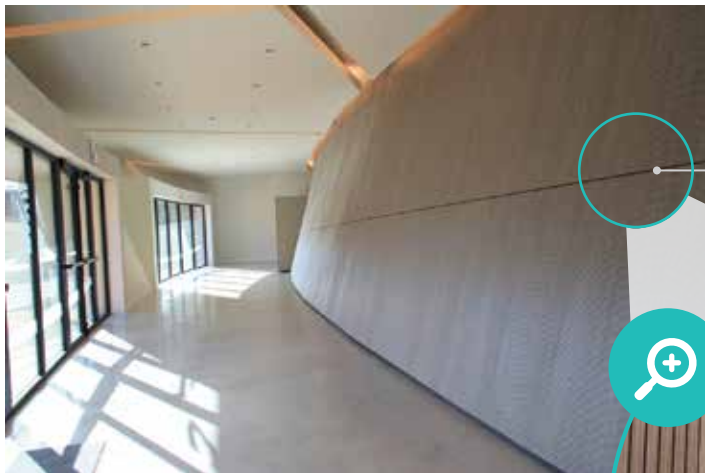


Example of mitre cutting of exterior angles - TYPE G

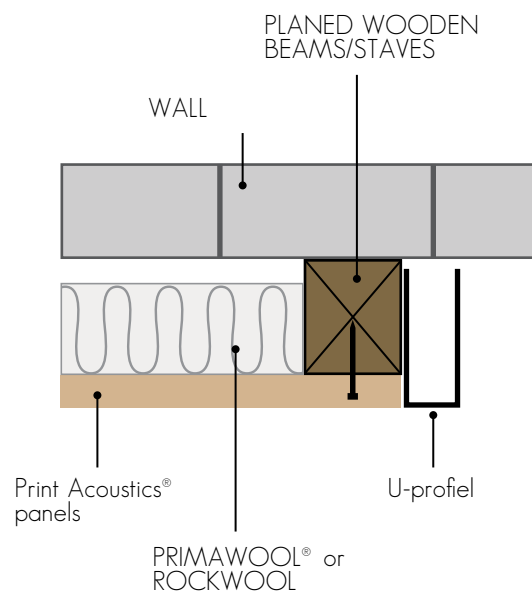


Example of mitre cutting of exterior angles - TYPE Z

# FINISHING POSSIBILITIES PRINT ACOUSTICS® PANELS

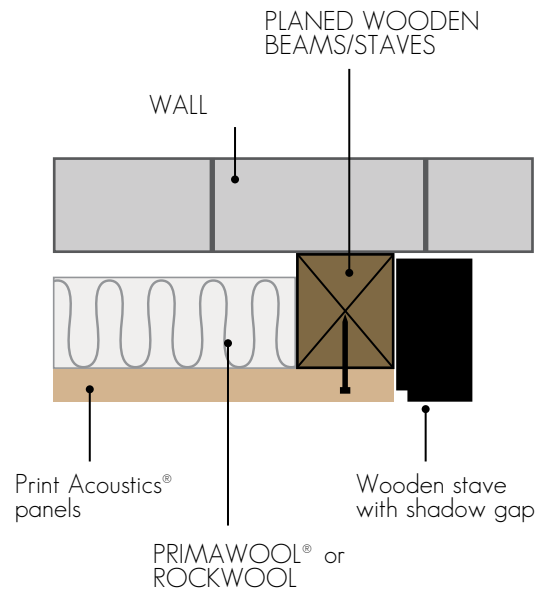


When installing grooved panels you should include a shadow gap.

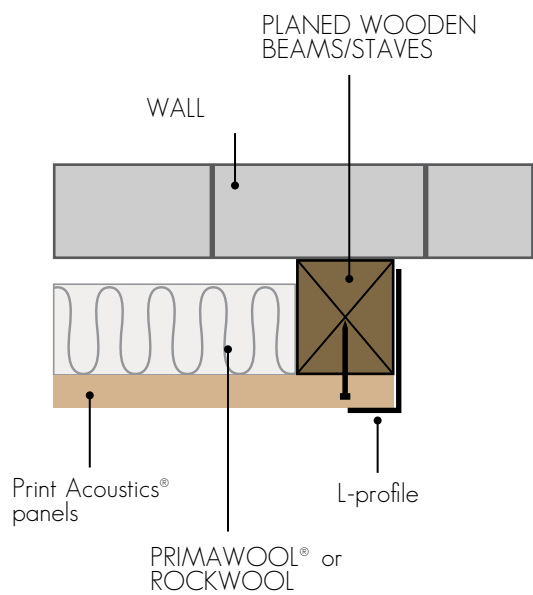


Example of finishing border with aluminium U-profile - TYPE I

# FINISHING POSSIBILITIES PRINT ACOUSTICS® PANELS

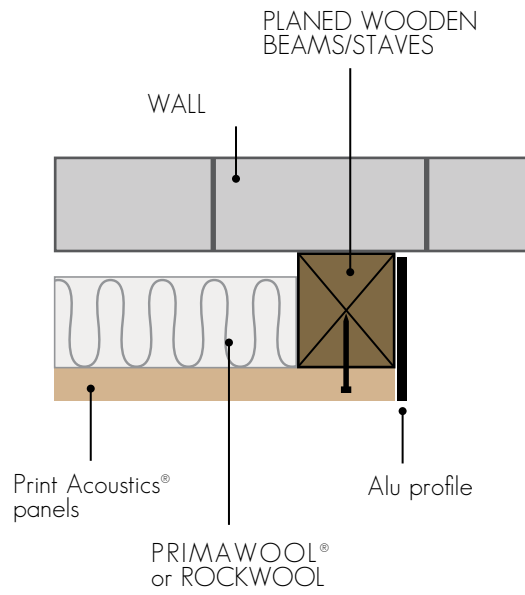


Example of finishing border with wooden stave - TYPE I

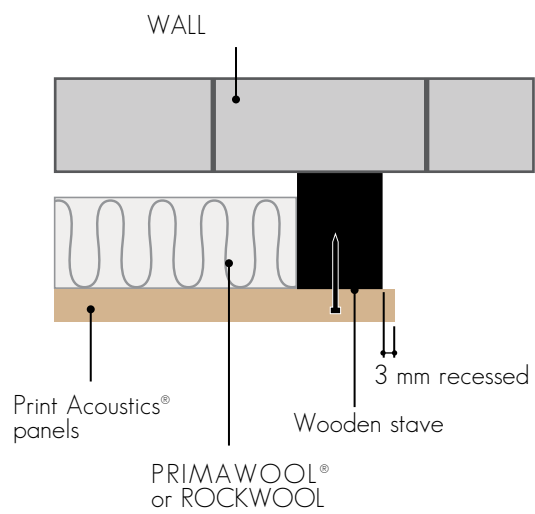


Example of finishing border with aluminium L-profile - TYPE I

# FINISHING POSSIBILITIES PRINT ACOUSTICS® PANELS

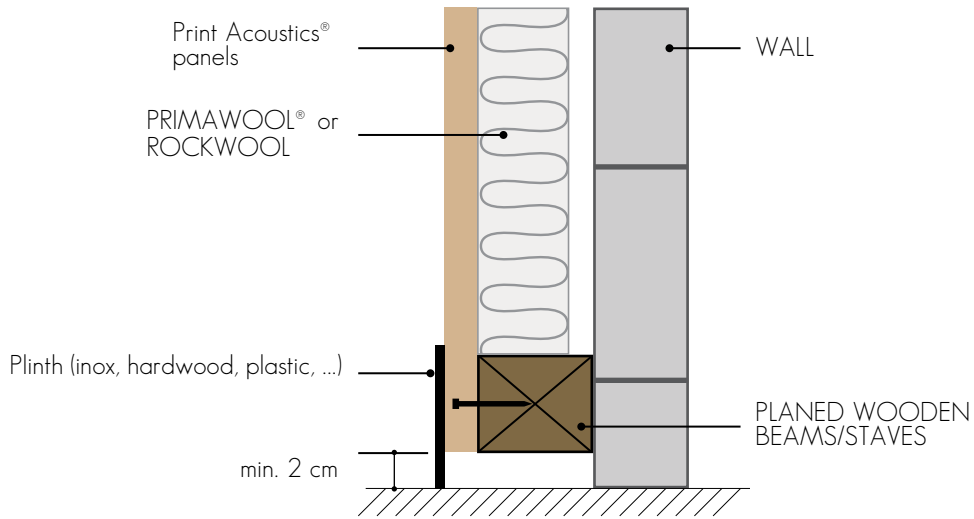


Example of finishing border with aluminium profile - TYPE I

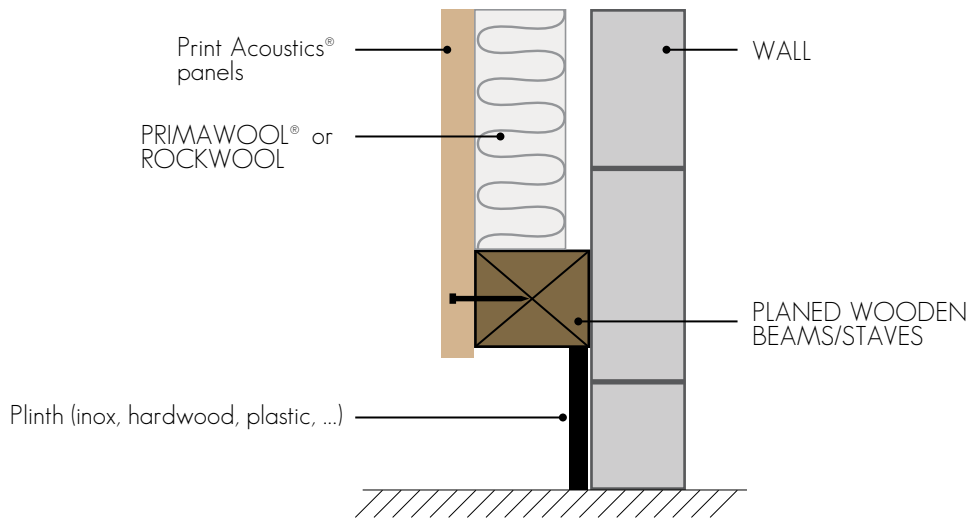


Example of finishing border with recessed wooden stave - TYPE I

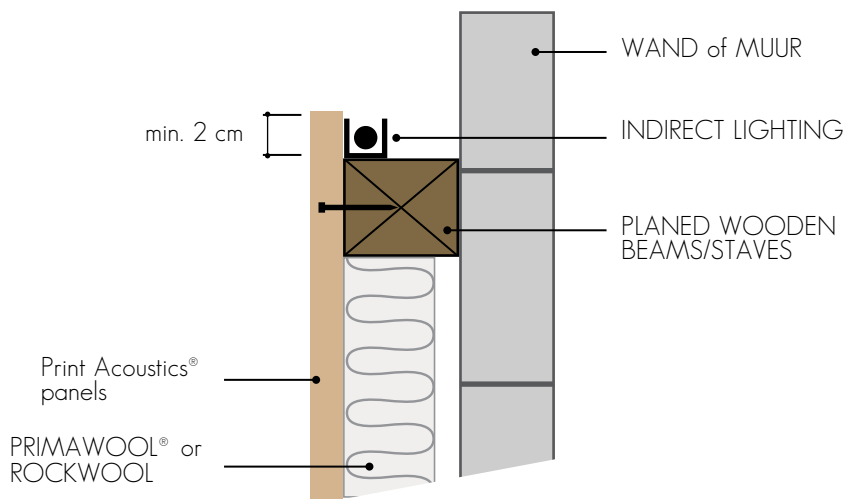
# FINISHING POSSIBILITIES PRINT ACOUSTICS® PANELS



Example of finishing with plinth - version 1



Example of finishing with plinth - version 2



Example of finishing with indirect LED lighting on top