

TYPE Ds (wall)



2.8 mm 5.2 mm

THICKNESS +-20 mm

WEIGHT 10,5 kg/m²

MATERIAL COMPOSITION

- Core of 2 x 9 mm in MDF
- High-quality two-sided HPL finish (EN 438) of Abet Laminati
- Acoustic absorbing spun glass fabric (centre)

STD. MEASUREMENTS

- 3030 x1200 mm (veneer)
 - 3030 x1280 mm (HPL)
- Made-to-measure on request.

PERFORATION

Ds 17,5 % perforation: front vertical grooves of 5.2 mm and blades of 2.8 mm in combination with transversed continuous slits in the core.
Blade/groove:5.2/2.8 mm

TOP LAYER

Print HPL 0.9 mm.
On request: lacquer, powdercoated, veneer or digital print.

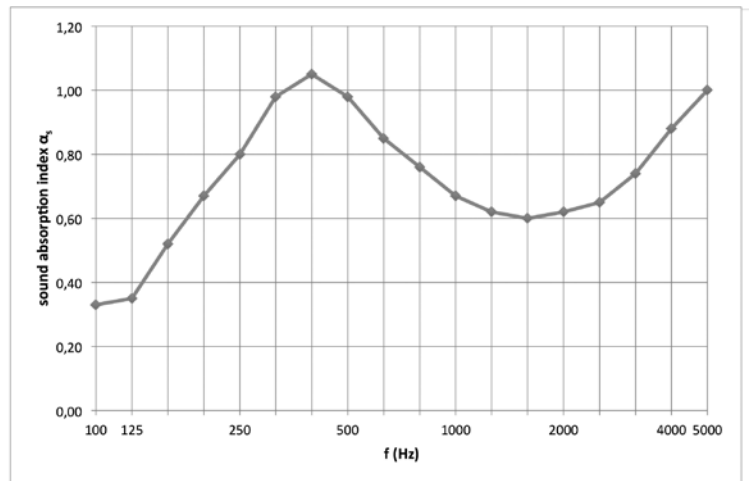
CORE

Black waterresistant MDF.
On request: standard MDF, red or black flame retardant MDF (B-s1-d0).

TEST SETUP
IN LAB:
WALLS

TOTAL THICKNESS
90 mm

f(Hz)	T1 (s)	T2 (s)	α _s
50			
63			
80			
100	12,93	6,66	0,33
125	13,05	6,48	0,35
160	11,51	4,95	0,52
200	11,84	4,30	0,67
250	10,89	3,70	0,80
315	11,12	3,24	0,98
400	10,88	3,05	1,05
500	10,86	3,22	0,98
630	11,80	3,65	0,85
800	11,94	3,96	0,76
1000	11,58	4,27	0,67
1250	10,49	4,31	0,62
1600	8,98	4,10	0,60
2000	7,67	3,75	0,62
2500	8,13	3,25	0,65
3150	4,79	2,68	0,74
4000	3,70	2,16	0,88
5000	2,74	1,72	1,00



f(Hz)	α _p
125	0,40
250	0,80
500	0,95
1000	0,70
2000	0,60
4000	0,85

α_w = 0,70 (LMH)
acoustical absorption class : C

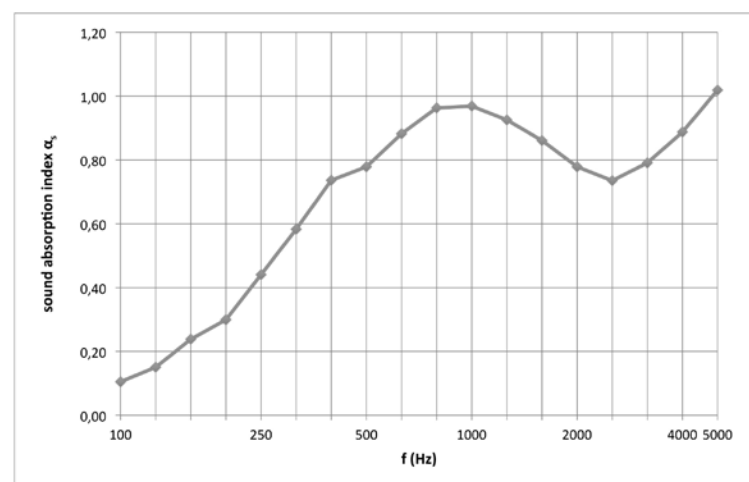
Type Ds 17.5 % 5.2/2.8 mm

Mounted on a wooden frame with a thickness of 70 mm, filled with 50 mm of Rockfit 431 adapt 40 kg/m³.

TEST SETUP
IN LAB:
WALLS

TOTAL THICKNESS
40 mm

f(Hz)	T1 (s)	T2 (s)	α _s
50			
63			
80			
100	12,23	9,11	0,10
125	10,79	7,52	0,15
160	9,82	6,04	0,24
200	9,09	5,26	0,30
250	9,36	4,46	0,44
315	9,30	3,80	0,58
400	9,26	3,29	0,74
500	9,40	3,19	0,78
630	10,04	2,99	0,88
800	9,95	2,80	0,96
1000	9,73	2,77	0,97
1250	8,92	2,79	0,93
1600	7,72	2,78	0,86
2000	6,69	2,80	0,78
2500	5,44	2,63	0,74
3150	4,32	2,25	0,79
4000	3,40	1,88	0,89
5000	2,54	1,50	1,02



f(Hz)	α _p
125	0,15
250	0,45
500	0,80
1000	0,95
2000	0,80
4000	0,90

α_w = 0,75 (H)
acoustical absorption class : C

Type Ds 17.5 % 5.2/2.8 mm

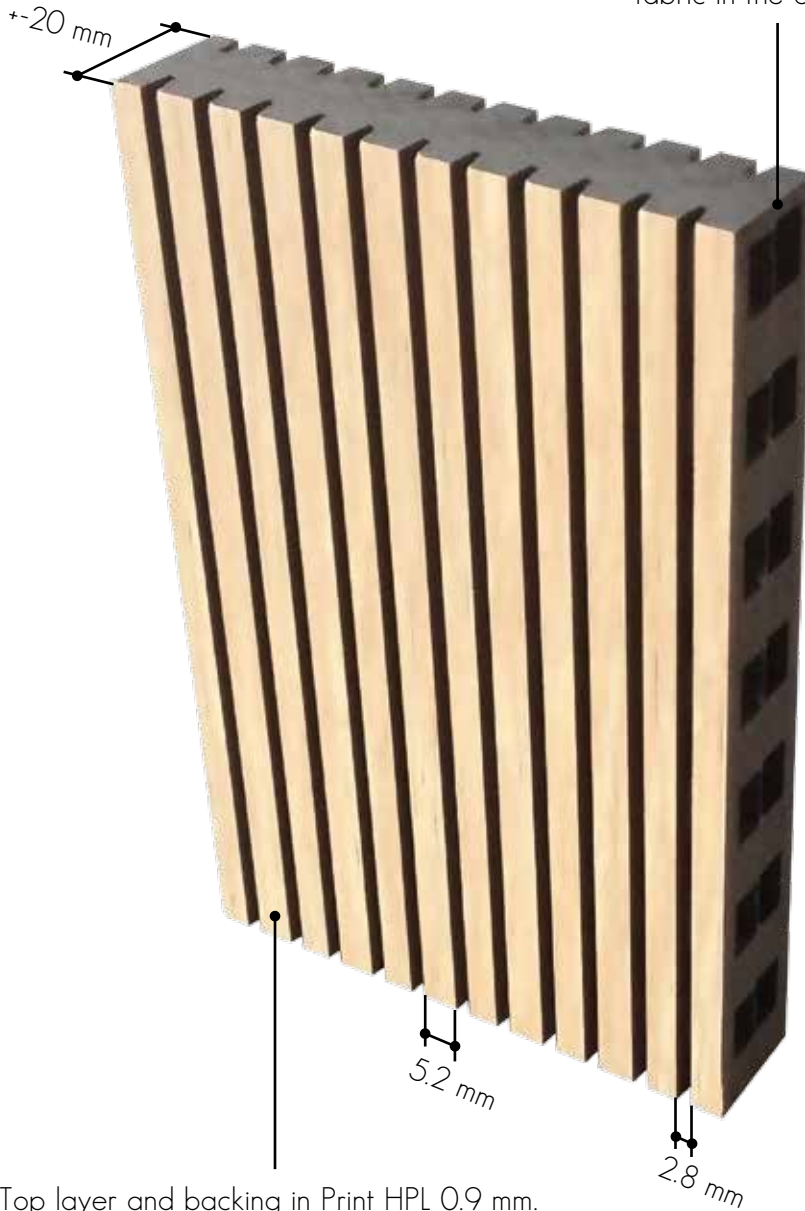
Mounted on a wooden frame with a thickness of 20 mm, filled with 20 mm of PRIMAWOOL 22.5 kg/m³.

TYPE Ds (wall)



INSTALLATION see page 50

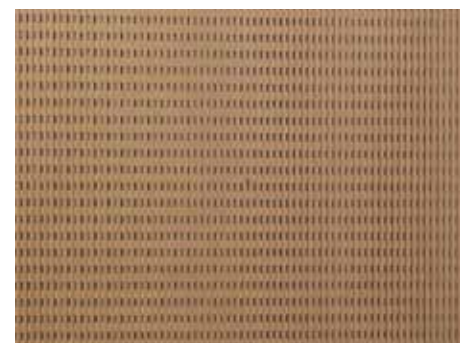
A core of 2 x 9 mm in black waterresistant MDF with acoustic absorbing spun glass fabric in the centre.



Top layer and backing in Print HPL 0.9 mm.
(On request: lacquer, veneer or digital print.)

Type Ds 17.5 % 5.2/2.8 mm

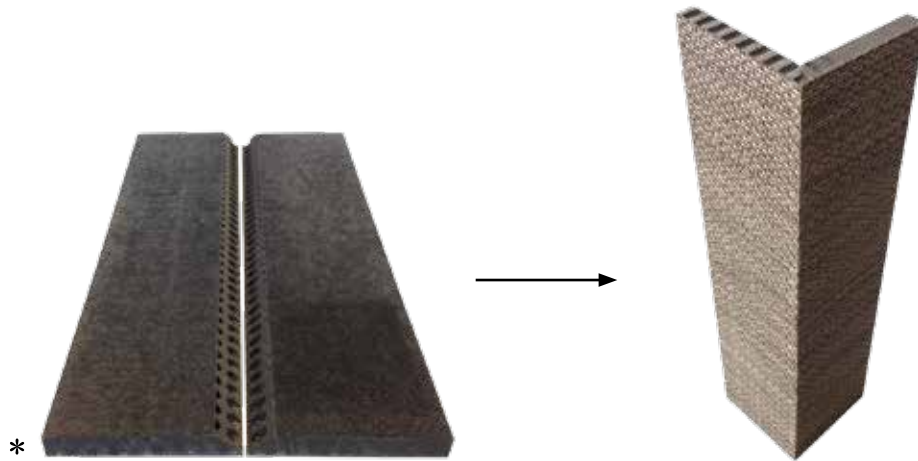
% perfo	total thickness	α_w	NRC* <small>see page 7</small>	SAA** <small>see page 7</small>
17.5 %	90 mm	0.70	0.75	0.77
	40 mm	0.75	0.75	0.75



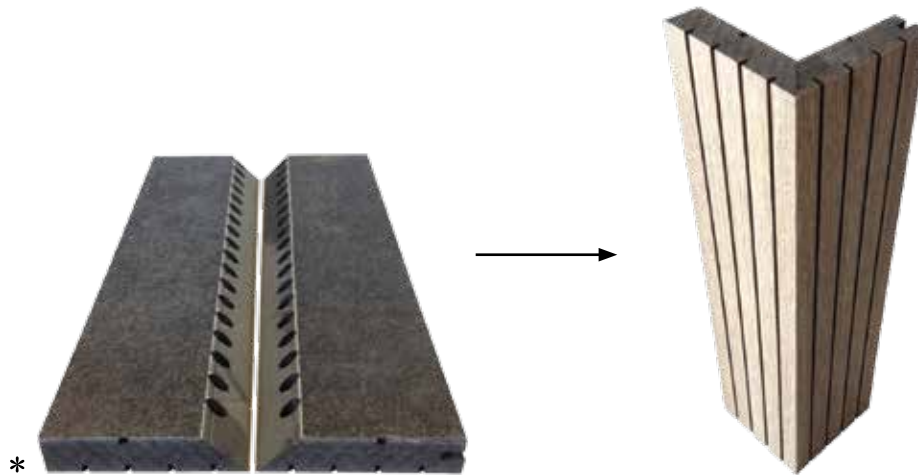
FINISHING POSSIBILITIES PRINT ACOUSTICS® PANELS

MITRE CUTTING OF EXTERIOR ANGLES

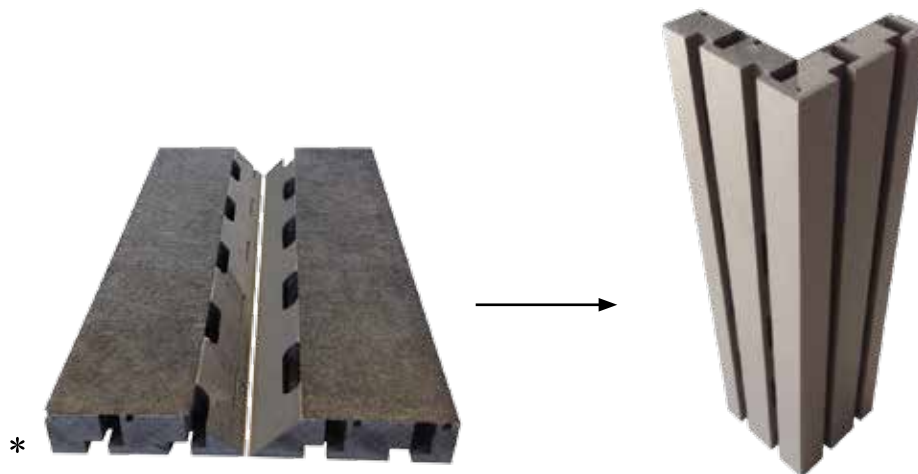
* You are responsible for the mitre cutting of the panels.



Example of mitre cutting of exterior angles - TYPE I

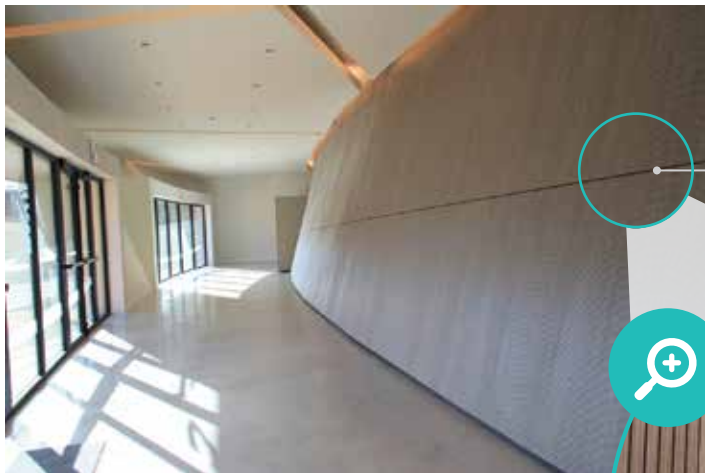


Example of mitre cutting of exterior angles - TYPE G

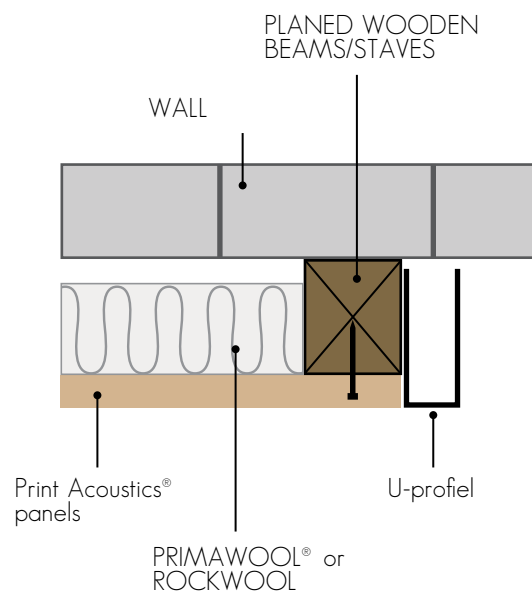


Example of mitre cutting of exterior angles - TYPE Z

FINISHING POSSIBILITIES PRINT ACOUSTICS® PANELS

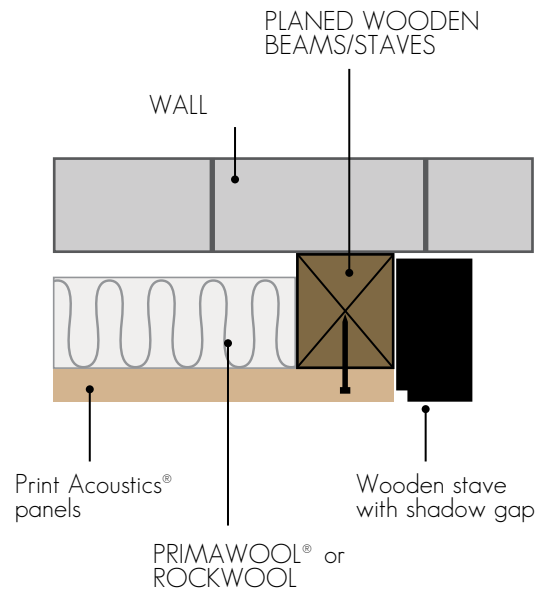


When installing grooved panels you should include a shadow gap.

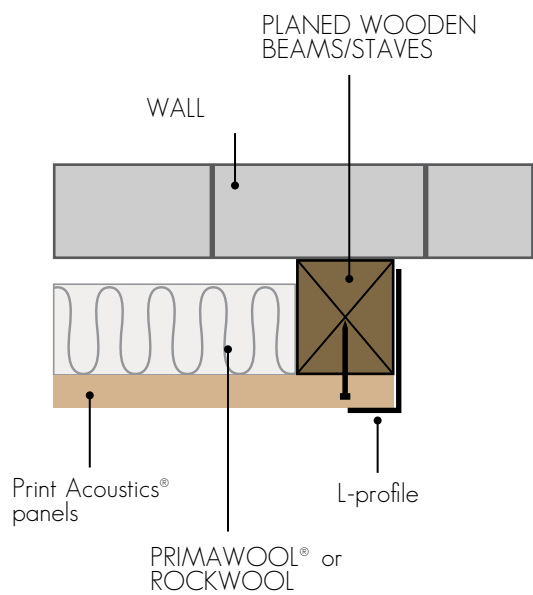


Example of finishing border with aluminium U-profile - TYPE I

FINISHING POSSIBILITIES PRINT ACOUSTICS® PANELS

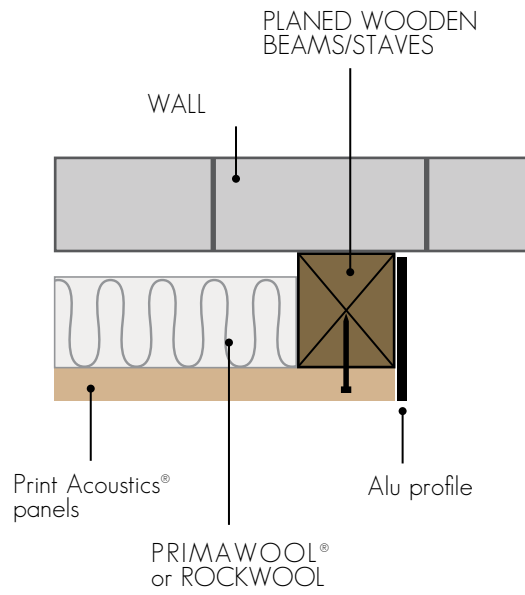


Example of finishing border with wooden stave - TYPE I

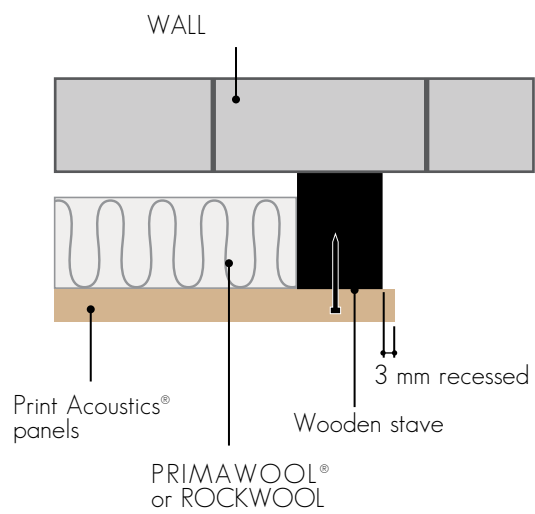


Example of finishing border with aluminium L-profile - TYPE I

FINISHING POSSIBILITIES PRINT ACOUSTICS® PANELS

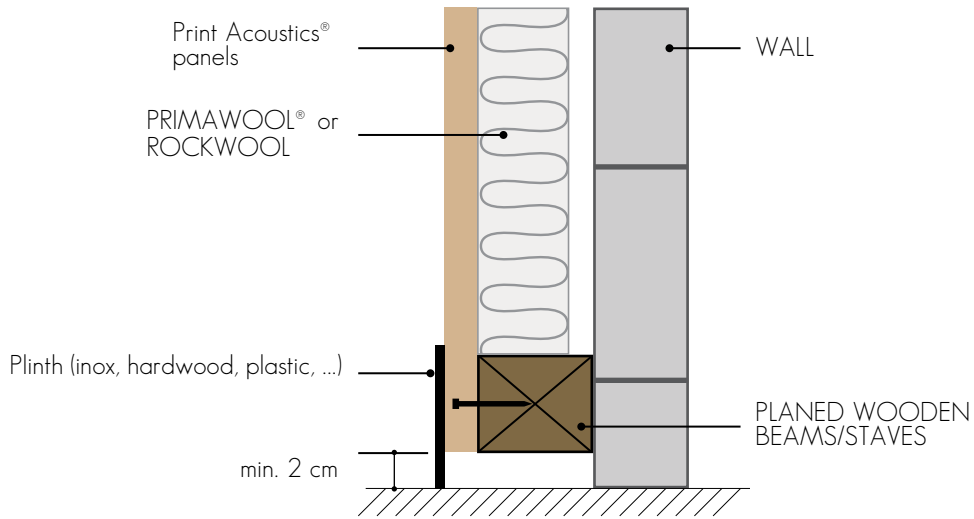


Example of finishing border with aluminium profile - TYPE I

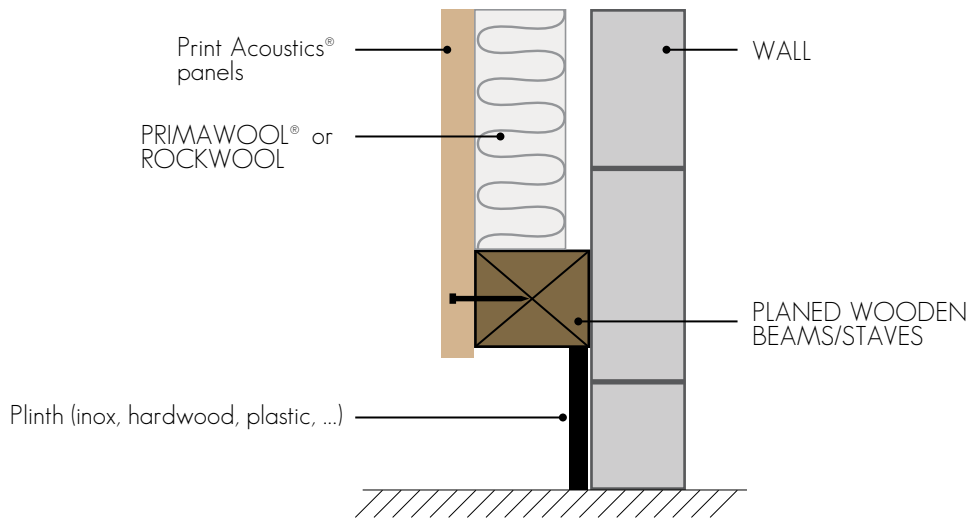


Example of finishing border with recessed wooden stave - TYPE I

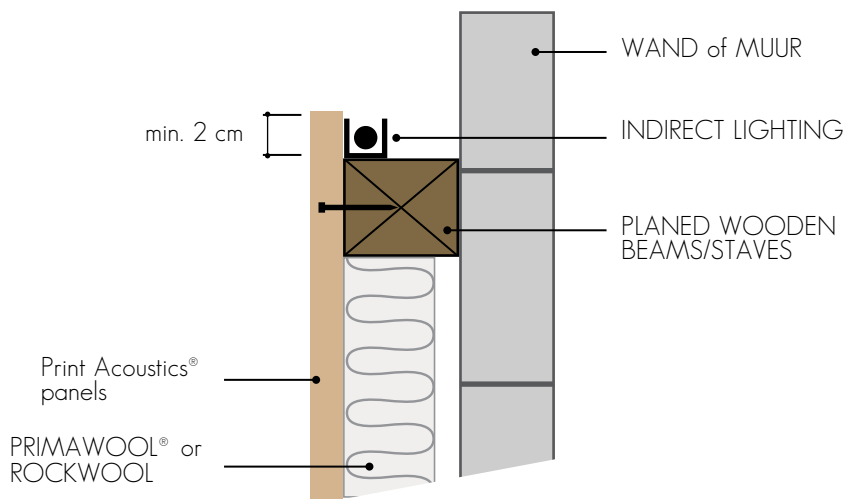
FINISHING POSSIBILITIES PRINT ACOUSTICS® PANELS



Example of finishing with plinth - version 1



Example of finishing with plinth - version 2



Example of finishing with indirect LED lighting on top